

# 27 II/28 II Digital Multimeters

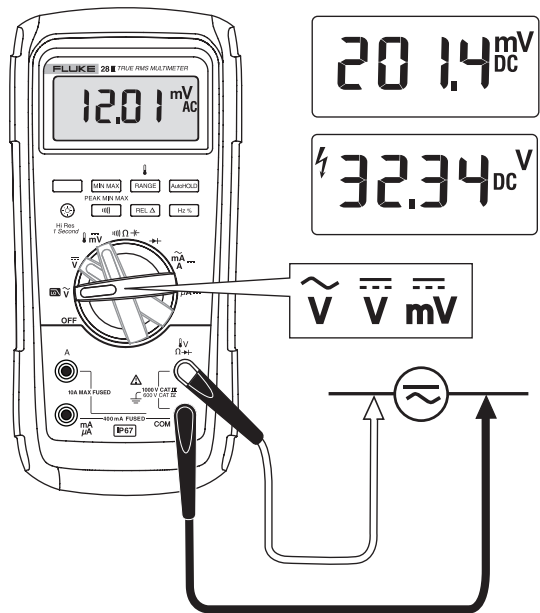
## Quick Reference Guide

**⚠ Warning**

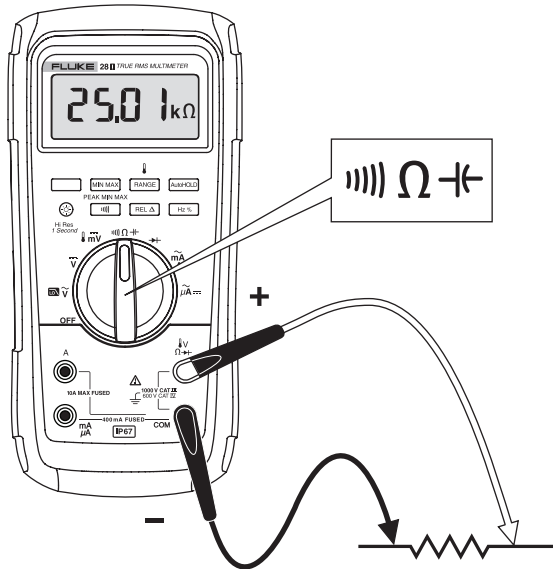
To prevent possible electrical shock, fire, or personal injury, read the "27 II/28 II Safety Information" before you use this Product.

Go to [www.fluke.com](http://www.fluke.com) to register your product and find more information.

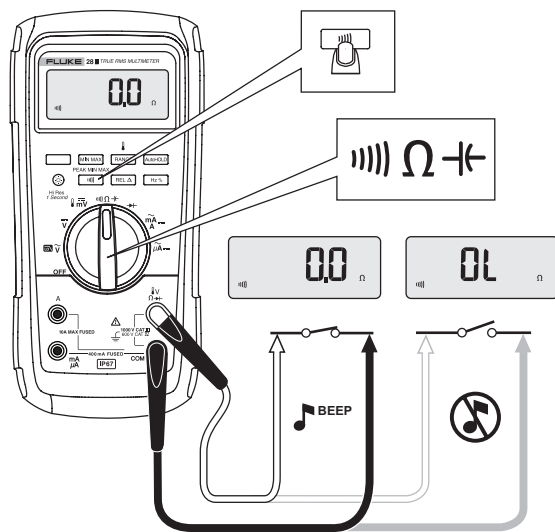
~ V V mV



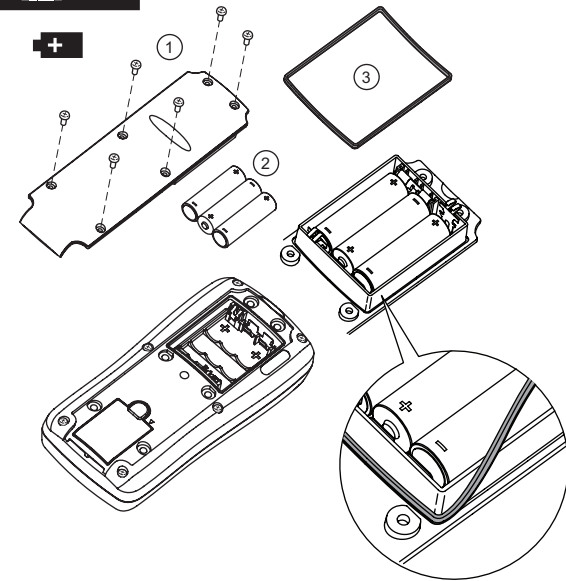
Ω



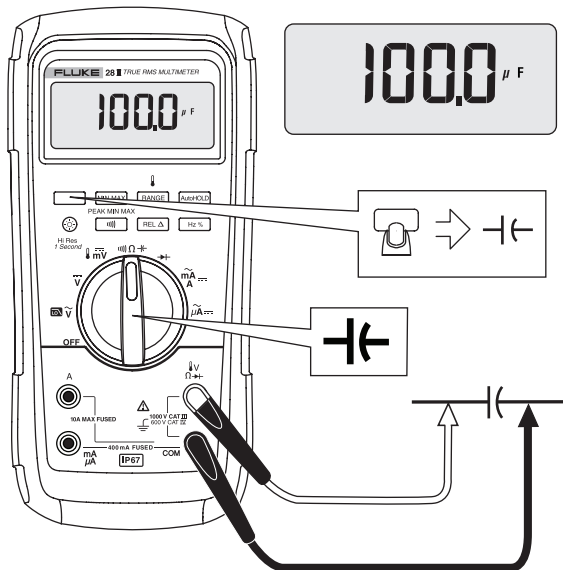
)))



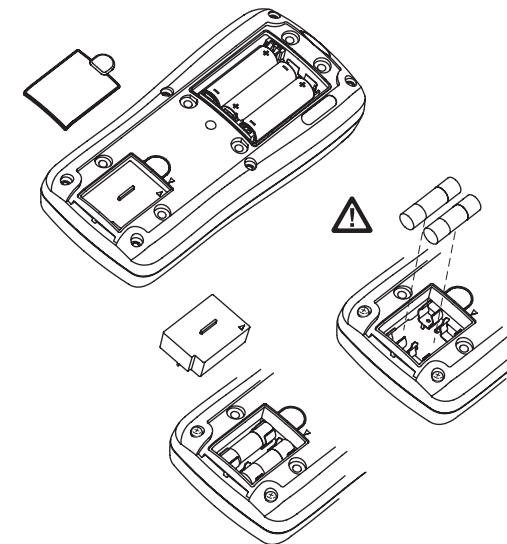
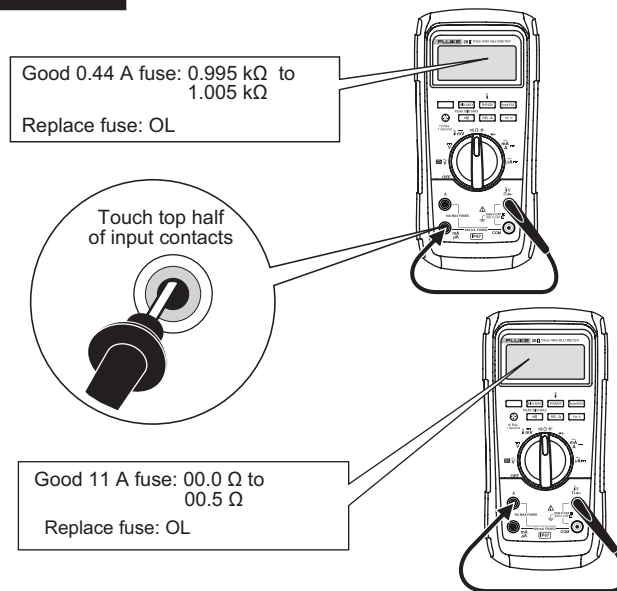
+

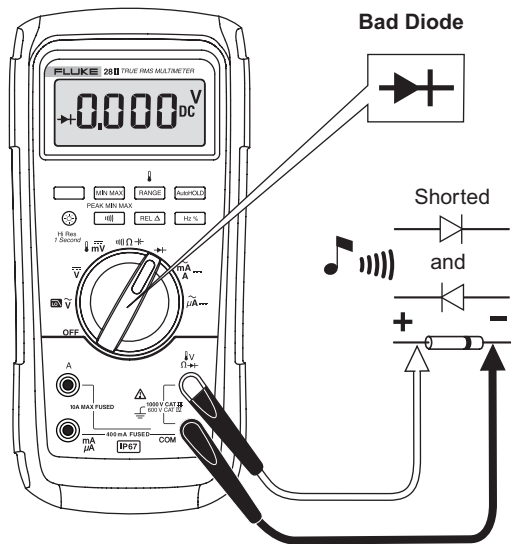
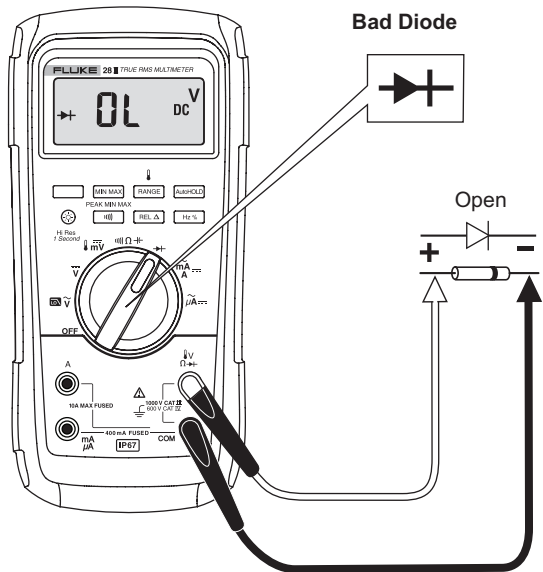
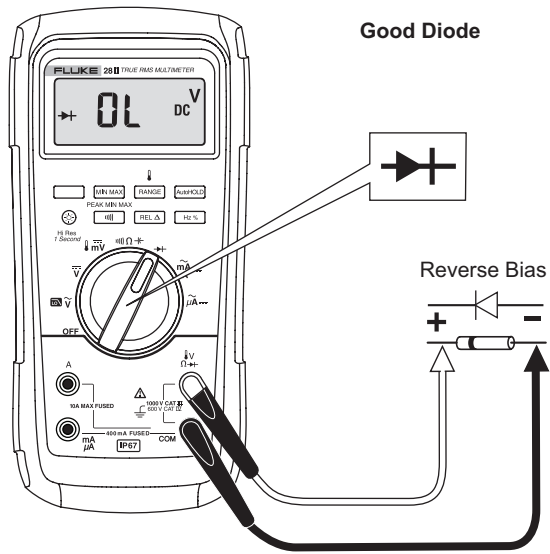
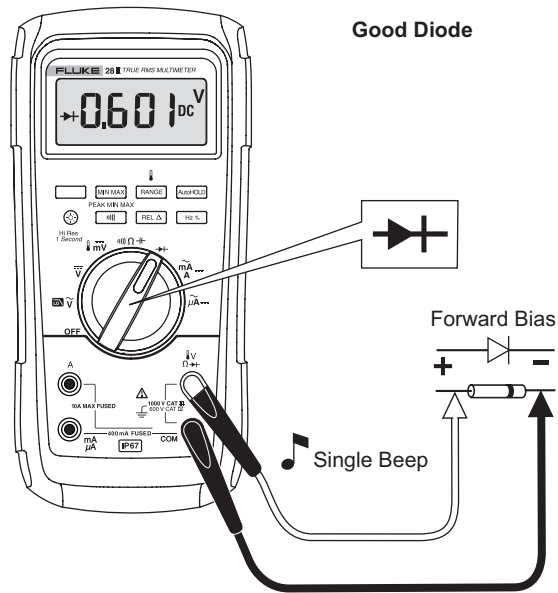


⎓



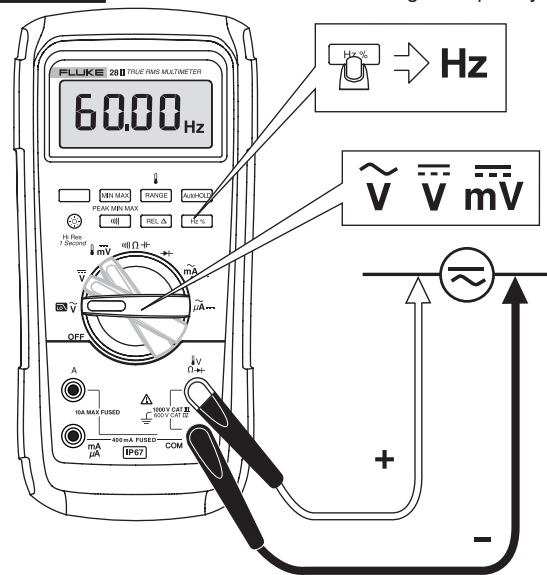
⎓



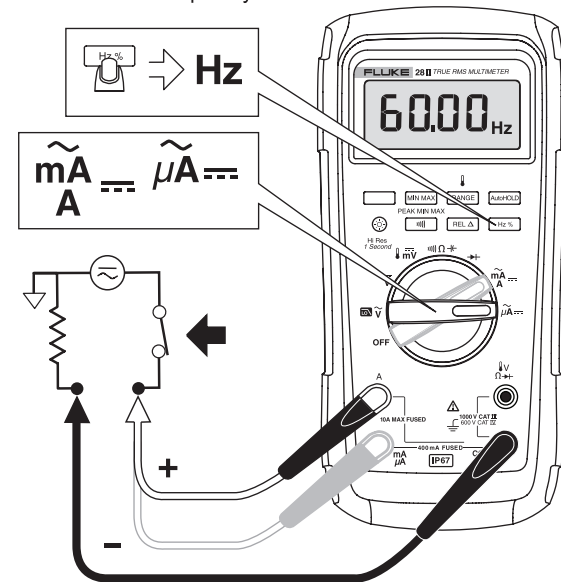


Hz

AC/DC Voltage Frequency



AC Current Frequency



mA

