

Manual Supplement

Manual Title: RSE300, RSE600 Users
Print Date: May 2018
Revision/Date:

Supplement Issue: **1**
Issue Date: 6/18
Page Count: 2

This supplement contains information necessary to ensure the accuracy of the above manual.

Change #1, 589

On pages 4 and 5, replace To use the Product section with:

To set up the Product:

1. Attach the antenna.
2. Stabilize the Product either on a flat surface or on a tripod.
3. Connect the M12 end of the ethernet cable to the M12 ethernet jack on the Product. See Figure 1.
 - a. Align the mark on the M12 ethernet cable with the mark on the ring on the end of the M12 ethernet cable and the mark on the M12 ethernet jack on the Product.
 - b. Fully insert the ethernet cable into the ethernet jack.
 - c. Rotate the ring 180 ° clockwise.

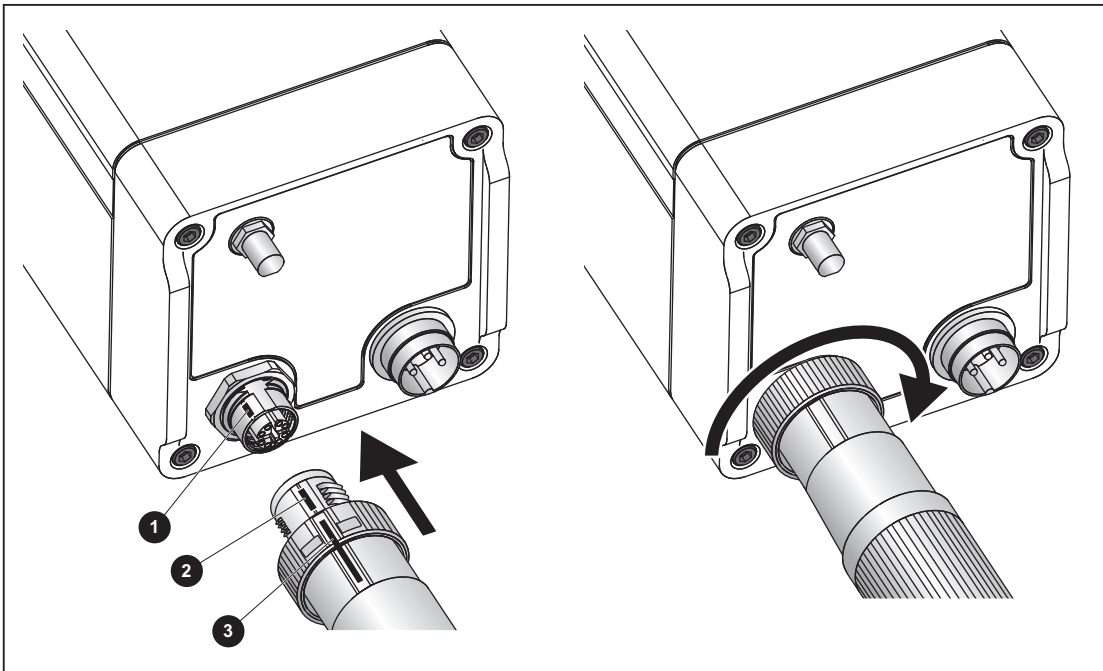


Figure 1. M12 Ethernet Cable Connection

4. Connect the RJ45 connector end of the ethernet cable to the ethernet jack on the PC. See Figure 2.
5. Connect the AC plug of the M16 DC power cable (15 V dc) to a power outlet and the M16 connector to the Product.
6. Wait for the Product to warm up and the LED indicator to show solid green.
7. Remove the lens cover.
8. Use SmartView to focus the image.

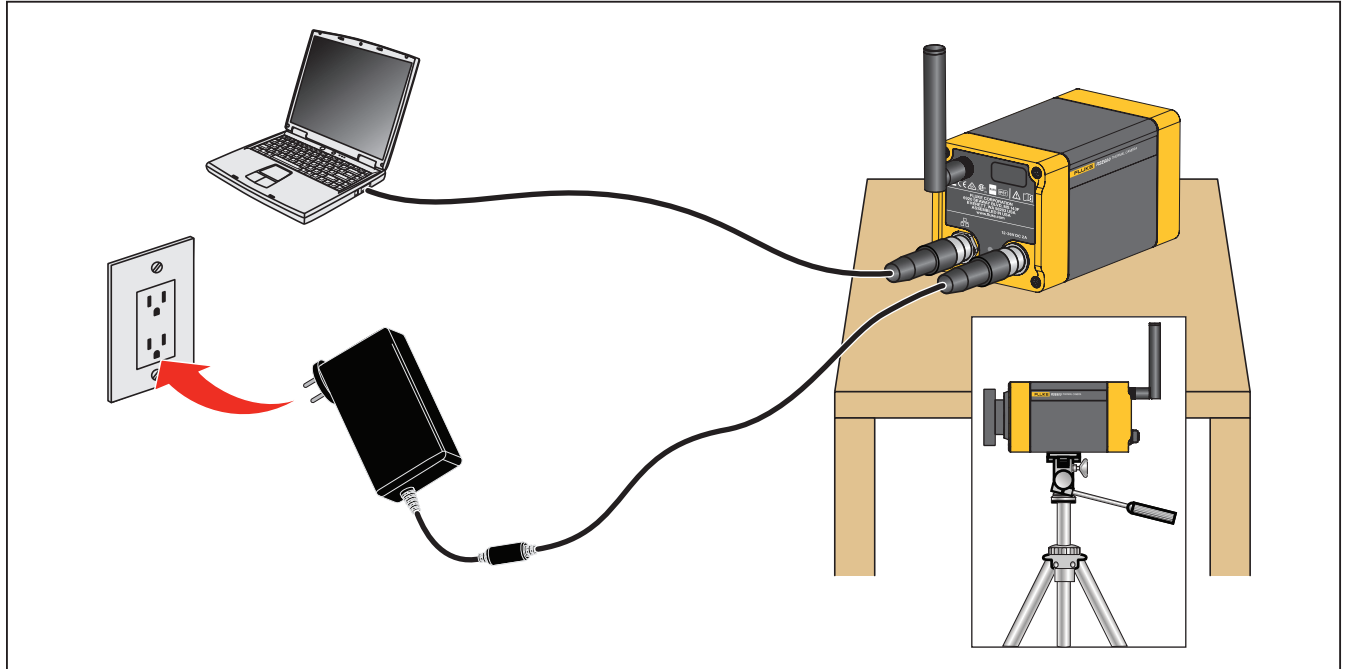


Figure 2. Product Setup